

aerospace  
climate control  
electromechanical  
filtration  
fluid & gas handling  
hydraulics  
pneumatics  
process control  
sealing & shielding



## AC650

Variable Speed AC Drives



ENGINEERING YOUR SUCCESS.

## Contents

|   |          |
|---|----------|
| <b>AC650 Variable Speed AC Drives</b>                 | <b>3</b> |
| General Purpose AC Drives .....                       | 3        |
| AC650V - High Performance AC Drives .....             | 5        |
| Technical Specification .....                         | 6        |
| Electrical Characteristics .....                      | 7        |
| Dimensions .....                                      | 8        |
| Selection and Order Code .....                        | 9        |
| AC650 Series .....                                    | 9        |
| AC650V Series High Performance AC Drive - 230 V ..... | 10       |
| AC650V Series High Performance AC Drive - 400 V ..... | 11       |
| Accessories and Options .....                         | 12       |



### **WARNING – USER RESPONSIBILITY**

**FAILURE OR IMPROPER SELECTION OR IMPROPER USE OF THE PRODUCTS DESCRIBED HEREIN OR RELATED ITEMS CAN CAUSE DEATH, PERSONAL INJURY AND PROPERTY DAMAGE.**

- This document and other information from Parker-Hannifin Corporation, its subsidiaries and authorized distributors provide product or system options for further investigation by users having technical expertise.
- The user, through its own analysis and testing, is solely responsible for making the final selection of the system and components and assuring that all performance, endurance, maintenance, safety and warning requirements of the application are met. The user must analyze all aspects of the application, follow applicable industry standards, and follow the information concerning the product in the current product catalog and in any other materials provided from Parker or its subsidiaries or authorized distributors.
- To the extent that Parker or its subsidiaries or authorized distributors provide component or system options based upon data or specifications provided by the user, the user is responsible for determining that such data and specifications are suitable and sufficient for all applications and reasonably foreseeable uses of the components or systems.

# AC650 Variable Speed AC Drives

## General Purpose AC Drives

### Description

Whether you need to control a conveyor belt, automatic barrier, machine spindle or other general purpose application, the AC650 delivers reliable, cost-effective voltage/frequency speed control of your motor.

Designed with simplicity in mind, the AC650 comes in a compact format with DIN rail mounting as standard allowing easy integration into any electrical control panel. The operator/programming keypad can be removed after setup to prevent unauthorised changes to inverter configuration.

For simple motor speed control up to 7.5 kW, the AC650 is an easy to use, out of the box solution that will have your system up and running in no time.



### Features

- Integrated operator keypad with option for remote mounting
- Integrated EMC filter ensures compliance while maintaining a compact footprint
- Pre-programmed macros allowing quick and simple drive setup
- DIN rail mounting for easy integration into any electrical cabinet
- Flexible I/O including analogue and relay output and motor thermister input allowing greater control options
- 6514 cloning module (option) allows easy back-up and transfer of parameters between different drives

### International Standards

The AC650 and AC650V series AC drives meets the following standards when installed in accordance with the relevant product manual.

- CE marked to EN 50178 (Safety, Low Voltage Directive)
- CE marked to EN 61800-3 (EMC Directive)
- UL listed to US Standard UL508C
- cUL listed to Canadian Standard C22.2 #14

### Characteristics

|                                     |  |
|-------------------------------------|--|
| <b>Power Supply</b>                 | Single Phase Units :<br>220-240 VAC $\pm 10\%$ , 50-60 Hz $\pm 5\%$<br>Three Phase Units :<br>380-460 VAC $\pm 10\%$ , 50-60 Hz $\pm 5\%$  |
| <b>AC650 Series</b><br>0.25-7.5 kW  | The AC650 is a simple, compact, cost effective solution to basic Volts/Hertz open-loop motor speed control applications to 7.5 kW, such as: <ul style="list-style-type: none"> <li>• Conveyors</li> <li>• Automatic barriers</li> <li>• Machine spindles</li> </ul>  |
| <b>AC650V Series</b><br>0.25-110 kW | The AC650V expands upon the AC650 and benefits from the addition of sensorless flux vector control. This makes it ideally suited for applications up to 110 kW where improved speed regulation of variable loads and higher starting torques for high inertia systems is required. <ul style="list-style-type: none"> <li>• Centrifugal pumps</li> <li>• Industrial blower fans</li> <li>• Mixers</li> </ul> |



## Diagnostic and control through the operator keypad

### Easy-to-use Operator/Programming Controls



### Simplified operation through the use of pre-programmed macros

The diagrams illustrate the following macro control applications:

- Speed control:** A drive controls a motor that processes material in a hopper.
- Manual / Automatic control:** A drive controls a motor that fills bottles on a production line.
- Preset speed control:** A drive controls a motor that processes material on a conveyor belt, with digital inputs for speed selection.
- Increase / Decrease:** A drive controls a motor that pumps liquid into a tank, with digital inputs for speed adjustment.
- PID Control:** A drive controls a motor that processes material, with a transducer providing pressure or volume feedback to the drive's speed setpoint.

- Simple speed control  
set speed and voltage or current  
with start / stop direction control
- Manual / Automatic control  
set to run with local speed setting  
or external reference
- Preset speed control  
select up to 8 pre-programmed  
speeds using digital inputs
- Increase / Decrease  
Increase or reduce speed using  
digital inputs
- PID Control  
Control the pressure, flow, tempe-  
rature or any process variable

# AC650V - High Performance AC Drives

0.25 kW - 110 kW

## Description

The AC650V expands upon the simple, no-fuss philosophy of the AC650 and provides reliable, robust motor control from 0.25 kW through to 110 kW. With the addition of sensorless flux vector technology, the AC650V allows improved motor control at lower speeds, better speed regulation of variable loads and higher starting torques for high inertia systems. The variable torque configuration option above 5.5 kW makes the AC650V ideally suited to energy saving in pump and fan applications.

## Features

**The AC650V offers the same high level of specification as the AC650 and also includes :**

- High torque sensorless vector control mode for advanced motor control
- Selectable constant torque or (higher) variable torque rating for centrifugal pump and fan applications allowing optimum inverter sizing to suit the application
- Fully configurable with graphical software tools such as DSE Lite provided at no additional charge.
- Additional user configurable I/O points offering increased control capabilities
- Additional PROFIBUS communications options for integration into PLC systems
- Wall and panel mounting options above 7.5 kW
- Extended power range to 110 kW makes the AC650V suited to a wide of uses



## Technical Specification

### AC650 and AC650V Series

|                                 |   |
|---------------------------------|---|
| <b>Power Supply</b>             | <b>Single Phase Units :</b><br>220-240 VAC $\pm 10\%$ , 50-60 Hz $\pm 5\%$<br><b>Three Phase Units :</b><br>380-460 VAC $\pm 10\%$ , 50-60 Hz $\pm 5\%$                                 |
| <b>Environment</b>              | 0-40 °C (derate to 50 °C)<br>Up to 1000 m ASL (derate >1000 m)  |
| <b>Protection</b>               | IP20  |
| <b>Overload</b>                 | <b>Constant torque rating :</b><br>150 % for 60 s<br><b>Variable torque rating (pumps and fans) :</b><br>110 % for 60 s   |
| <b>Output Frequency</b>         | 0-240 Hz  |
| <b>Analogue Inputs</b>          | 2;<br>Speed Control<br>0-10 V, 0-10 V/4-20 mA   |
| <b>Analogue Outputs</b>         | 1;<br>User configurable output frequency / load 0-10 V  |
| <b>Digital Inputs</b>           | AC650 - 3,<br>AC650V - 5;<br>User configurable Start / Stop / Direction / pre-set speeds (8)  |
| <b>Digital Inputs / Outputs</b> | AC650 - 1,<br>AC650V - 2;<br>User configurable as inputs or outputs   |
| <b>Digital Relay Outputs</b>    | 1;<br>Relay output 4 A @240 V<br>All digital outputs configurable for; at (not at) speed / at (above) minimum speed / running (stopped) / health (tripped) / above (below) pre-set load |
| <b>Motor Thermistor Input</b>   | 1   |
| <b>Power Supply Outputs</b>     | 24 VDC (50 mA) - Digital I/O Supply<br>10 VDC (10 mA) - Analogue reference supply   |
| <b>Communications Options</b>   | <b>AC650V and AC650 :</b><br>RS485 / RS232<br><b>AC650V :</b><br>PROFIBUS   |

# Electrical Characteristics

## AC650 and AC650V Series

### 220-240 VAC (+10 %) 50 Hz (+5 %) 1phase

| Old Order Reference** | New Order Reference | Nominal Power [kW] | Output Current [A] | Frame |
|-----------------------|---------------------|--------------------|--------------------|-------|
| 650(V)-002-230-...    | 650(V)-21115010-... | 0.25               | 1.5                | 1     |
| 650(V)-003-230-...    | 650(V)-21122010-... | 0.37               | 2.2                | 1     |
| 650(V)-005-230-...    | 650(V)-21130010-... | 0.55               | 3.0                | 1     |
| 650(V)-007-230-...    | 650(V)-21140010-... | 0.75               | 4.0                | 1     |
| 650(V)-011-230-...    | 650(V)-21155020-... | 1.1                | 5.5                | 2     |
| 650(V)-015-230-...    | 650(V)-21170020-... | 1.5                | 7.0                | 2     |

### 220-240 VAC (+10 %) 50 Hz (+5 %) 1/3 phase

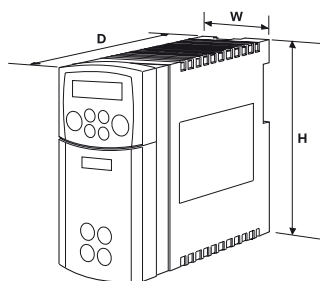
| Old Order Reference** | New Order Reference | Nominal Power [kW] | Output Current [A] | Frame |
|-----------------------|---------------------|--------------------|--------------------|-------|
|                       | 650(V)-22196030-... | 2.2                | 9.6                | 3     |

### 380-460 VAC (+10 %) 50 Hz (+5 %) 3phase

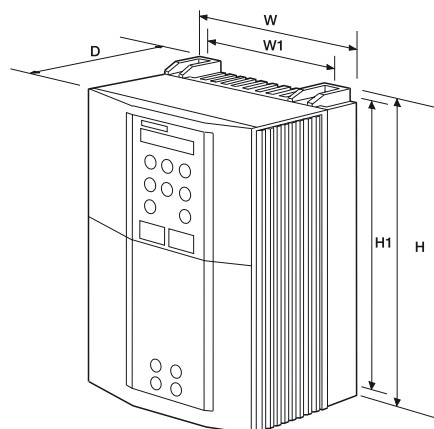
| Old Order Reference** | New Order Reference | Constant Torque    |                    | Variable Torque    |                    | Frame |
|-----------------------|---------------------|--------------------|--------------------|--------------------|--------------------|-------|
|                       |                     | Nominal Power [kW] | Output current [A] | Nominal Power [kW] | Output Current [A] |       |
| 650(V)-003-400-...    | 650(V)-43115020-... | 0.37               | 1.5                | -                  | -                  | 2     |
| 650(V)-005-400-...    | 650(V)-43120020-... | 0.55               | 2.0                | -                  | -                  | 2     |
| 650(V)-007-400-...    | 650(V)-43125020-... | 0.75               | 2.5                | -                  | -                  | 2     |
| 650(V)-011-400-...    | 650(V)-43135020-... | 1.1                | 3.5                | -                  | -                  | 2     |
| 650(V)-015-400-...    | 650(V)-43145020-... | 1.5                | 4.5                | -                  | -                  | 2     |
| 650(V)-022-400-...    | 650(V)-43155020-... | 2.2                | 5.5                | -                  | -                  | 2     |
| 650(V)-030-400-...    | 650(V)-43168030-... | 3.0                | 6.8                | -                  | -                  | 3     |
| 650(V)-040-400-...    | 650(V)-43190030-... | 4.0                | 9.0                | -                  | -                  | 3     |
| 650(V)-055-400-...    | 650(V)-43212030-... | 5.5                | 12                 | -                  | -                  | 3     |
| 650(V)-075-400-...    | 650(V)-43216030-... | 7.5                | 16                 | -                  | -                  | 3     |
| 650VC-0075-4-...      | 650V-432160C0-...   | 7.5                | 16                 | 11                 | 23                 | C     |
| 650VC-0110-4-...      | 650V-432230C0-...   | 11                 | 23                 | 15                 | 30                 | C     |
| 650VC-0150-4-...      | 650V-432300C0-...   | 15                 | 30                 | 18                 | 38                 | C     |
| 650VD-0180-4-...      | 650V-432380D0-...   | 18                 | 38                 | 22                 | 45                 | D     |
| 650VD-0220-4-...      | 650V-432450D0-...   | 22                 | 45                 | 30                 | 59                 | D     |
| 650VD-0300-4-...      | 650V-432590D0-...   | 30                 | 59                 | 37                 | 73                 | D     |
| 650VE-0370-4-...      | 650V-432730E0-...   | 37                 | 73                 | 45                 | 87                 | E     |
| 650VF-0450-4-...      | 650V-432870E0-...   | 45                 | 87                 | 55                 | 105                | E     |
| 650VF-0550-4-...      | 650V-433105F1-...   | 55                 | 105                | 75                 | 145                | F     |
| 650VF-0750-4-...      | 650V-433145F1-...   | 75                 | 145                | 90                 | 165                | F     |
| 650VF-0900-4-...      | 650V-433180F1-...   | 90                 | 180                | 110                | 205                | F     |

Note: \*\*Old reference refers to legacy part references prior to 2009.  
See "Selection and Order Code" to complete product reference.  
230 VAC 3phase supply also available as an option.

## Dimensions



Frame 1,2,3



Frame C, D, E, F

### Dimensions and Weights

| Frame | Overall Dimensions |                |                | Fixing Centres   |                 | Weight [kg] |
|-------|--------------------|----------------|----------------|------------------|-----------------|-------------|
|       | Height (H) [mm]    | Width (W) [mm] | Depth (D) [mm] | Height (H1) [mm] | Width (W1) [mm] |             |
| 1     | 132                | 73             | 142            | -                | -               | -           |
| 2     | 188                | 73             | 173            | -                | -               | -           |
| 3     | 242                | 96             | 200            | -                | -               | -           |
| C     | 348                | 201            | 208            | 335              | 150             | 9.3         |
| D     | 453                | 252            | 245            | 440              | 150             | 17.4        |
| E     | 669                | 257            | 312            | 630              | 150             | 32.5        |
| F     | 720                | 257            | 355            | 700              | 150             | 41.0        |





# Selection and Order Code

## AC650 Series

| Example  |                |      |                     |      |       | Block 1 | Block 2 |    |      |   | Block 3 |   |   |   | Block 4 |   |    |   |   |   |
|--|----------------|------|---------------------|------|-------|---------|---------|----|------|---|---------|---|---|---|---------|---|----|---|---|---|
|  |                |      |                     |      |       | 650     | -       | 21 | 1150 | 1 | 0       | - | 0 | 0 | 0       | P | 00 | - | A | 0 |
| <b>Product family</b>  |                |      |                     |      |       |         |         |    |      |   |         |   |   |   |         |   |    |   |   |   |
| AC650 AC Drive - V/F   |                |      |                     |      |       | 650     |         |    |      |   |         |   |   |   |         |   |    |   |   |   |
| <b>Rating data</b>   |                |      |                     |      |       |         |         |    |      |   |         |   |   |   |         |   |    |   |   |   |
|  | Supply voltage | kW   | Output current<br>A | HP   | Frame |         |         |    |      |   |         |   |   |   |         |   |    |   |   |   |
| Power/<br>Current<br>Rating  | 230 V 1phase   |      |                     |      |       | 21      |         |    |      |   |         |   |   |   |         |   |    |   |   |   |
|  |                | 0.25 | 1.5                 | 0.3  | 1     |         | 1150    | 1  |      |   |         |   |   |   |         |   |    |   |   |   |
|  |                | 0.37 | 2.2                 | 0.5  | 1     |         | 1220    | 1  |      |   |         |   |   |   |         |   |    |   |   |   |
|  |                | 0.55 | 3                   | 0.75 | 1     |         | 1300    | 1  |      |   |         |   |   |   |         |   |    |   |   |   |
|  |                | 0.75 | 4                   | 1    | 1     |         | 1400    | 1  |      |   |         |   |   |   |         |   |    |   |   |   |
|  |                | 1.1  | 5.5                 | 1.5  | 2     |         | 1550    | 2  |      |   |         |   |   |   |         |   |    |   |   |   |
|  |                | 1.5  | 7                   | 2    | 2     |         | 1700    | 2  |      |   |         |   |   |   |         |   |    |   |   |   |
|  | 230 V 1/3phase |      |                     |      |       | 22      |         |    |      |   |         |   |   |   |         |   |    |   |   |   |
|  |                | 2.2  | 9.6                 | 3    | 3     |         | 1960    | 3  |      |   |         |   |   |   |         |   |    |   |   |   |
|  | 230 V 3phase   |      |                     |      |       | 23      |         |    |      |   |         |   |   |   |         |   |    |   |   |   |
|  | 3              | 12.3 | 4                   | 3    |       | 2123    | 3       |    |      |   |         |   |   |   |         |   |    |   |   |   |
|  | 4              | 16.4 | 5                   | 3    |       | 2164    | 3       |    |      |   |         |   |   |   |         |   |    |   |   |   |
| 400/460 V 3phase   |                |      |                     |      | 43    |         |         |    |      |   |         |   |   |   |         |   |    |   |   |   |
|  | 0.37           | 1.5  | 0.5                 | 2    |       | 1150    | 2       |    |      |   |         |   |   |   |         |   |    |   |   |   |
|  | 0.55           | 2    | 0.75                | 2    |       | 1200    | 2       |    |      |   |         |   |   |   |         |   |    |   |   |   |
|  | 0.75           | 2.5  | 1                   | 2    |       | 1250    | 2       |    |      |   |         |   |   |   |         |   |    |   |   |   |
|  | 1.1            | 3.5  | 1.5                 | 2    |       | 1350    | 2       |    |      |   |         |   |   |   |         |   |    |   |   |   |
|  | 1.5            | 4.5  | 2                   | 2    |       | 1450    | 2       |    |      |   |         |   |   |   |         |   |    |   |   |   |
|  | 2.2            | 5.5  | 3                   | 2    |       | 1550    | 2       |    |      |   |         |   |   |   |         |   |    |   |   |   |
|  | 3              | 6.8  | 4                   | 3    |       | 1680    | 3       |    |      |   |         |   |   |   |         |   |    |   |   |   |
|  | 4              | 9    | 5                   | 3    |       | 1900    | 3       |    |      |   |         |   |   |   |         |   |    |   |   |   |
|  | 5.5            | 12   | 7.5                 | 3    |       | 2120    | 3       |    |      |   |         |   |   |   |         |   |    |   |   |   |
|  | 7.5            | 16   | 10                  | 3    |       | 2160    | 3       |    |      |   |         |   |   |   |         |   |    |   |   |   |
| <b>Auxiliary supply</b>  |                |      |                     |      |       |         |         |    |      |   |         |   |   |   |         |   |    |   |   |   |
| Not required   |                |      |                     |      |       | 0       |         |    |      |   |         |   |   |   |         |   |    |   |   |   |
| <b>Brake switch</b>  |                |      |                     |      |       |         |         |    |      |   |         |   |   |   |         |   |    |   |   |   |
| Not fitted (not available on frames 1-2 230 V products)  |                |      |                     |      |       | 0       |         |    |      |   |         |   |   |   |         |   |    |   |   |   |
| Brake switch fitted (must be fitted on frame 2 400/460 V, and all frame 3 products)            |                |      |                     |      |       | B       |         |    |      |   |         |   |   |   |         |   |    |   |   |   |
| <b>Filter</b>  |                |      |                     |      |       |         |         |    |      |   |         |   |   |   |         |   |    |   |   |   |
| Not fitted   |                |      |                     |      |       | 0       |         |    |      |   |         |   |   |   |         |   |    |   |   |   |
| Filter fitted  |                |      |                     |      |       | F       |         |    |      |   |         |   |   |   |         |   |    |   |   |   |
| <b>Communications</b>  |                |      |                     |      |       |         |         |    |      |   |         |   |   |   |         |   |    |   |   |   |
| No communications port   |                |      |                     |      |       | 0       |         |    |      |   |         |   |   |   |         |   |    |   |   |   |
| RS232 port fitted (must be selected if remote mounting of keypad required)                     |                |      |                     |      |       | 1       |         |    |      |   |         |   |   |   |         |   |    |   |   |   |
| <b>Mounting</b>  |                |      |                     |      |       |         |         |    |      |   |         |   |   |   |         |   |    |   |   |   |
| Panel mounting   |                |      |                     |      |       | P       |         |    |      |   |         |   |   |   |         |   |    |   |   |   |
| <b>Special option</b>  |                |      |                     |      |       |         |         |    |      |   |         |   |   |   |         |   |    |   |   |   |
| None   |                |      |                     |      |       | 00      |         |    |      |   |         |   |   |   |         |   |    |   |   |   |
| Documented special options (01-99) (Refer to local sales office)                               |                |      |                     |      |       |         |         |    |      |   |         |   |   |   |         |   |    |   |   |   |
| <b>Language</b>  |                |      |                     |      |       |         |         |    |      |   |         |   |   |   |         |   |    |   |   |   |
| English (50 Hz)  |                |      |                     |      |       | A       |         |    |      |   |         |   |   |   |         |   |    |   |   |   |
| English (60 Hz)  |                |      |                     |      |       | B       |         |    |      |   |         |   |   |   |         |   |    |   |   |   |
| German   |                |      |                     |      |       | D       |         |    |      |   |         |   |   |   |         |   |    |   |   |   |
| Spanish  |                |      |                     |      |       | E       |         |    |      |   |         |   |   |   |         |   |    |   |   |   |
| French   |                |      |                     |      |       | F       |         |    |      |   |         |   |   |   |         |   |    |   |   |   |
| Italian  |                |      |                     |      |       | I       |         |    |      |   |         |   |   |   |         |   |    |   |   |   |
| Swedish  |                |      |                     |      |       | S       |         |    |      |   |         |   |   |   |         |   |    |   |   |   |
| <b>Keypad</b>  |                |      |                     |      |       |         |         |    |      |   |         |   |   |   |         |   |    |   |   |   |
| None   |                |      |                     |      |       | 0       |         |    |      |   |         |   |   |   |         |   |    |   |   |   |
| 6511 TTL fitted (local mounting only)  |                |      |                     |      |       | 1       |         |    |      |   |         |   |   |   |         |   |    |   |   |   |
| 6511 RS232 fitted (local or remote mounting - RS232 port must be selected for remote mounting) |                |      |                     |      |       | 2       |         |    |      |   |         |   |   |   |         |   |    |   |   |   |

## AC650V Series High Performance AC Drive - 230 V



|   |          |                 |          |                 |        |       | Example | Block 1 | Block 2 |    |      |   | Block 3 |   |   |   | Block 4 |   |    |   |   |   |   |    |   |   |
|---|----------|-----------------|----------|-----------------|--------|-------|---------|---------|---------|----|------|---|---------|---|---|---|---------|---|----|---|---|---|---|----|---|---|
|   |          |                 |          |                 |        |       |         | 650V    | -       | 21 | 1150 | 1 | 0       | - | 0 | 0 | 0       | P | 00 | - | A | 0 |   |    |   |   |
| <b>Product family</b>   |          |                 |          |                 |        |       |         |         |         |    |      |   |         |   |   |   |         |   |    |   |   |   |   |    |   |   |
| AC650V AC Drive - Sensorless Flux Vector Control                                    |          |                 |          |                 |        |       |         | 650V    |         |    |      |   |         |   |   |   |         |   |    |   |   |   |   |    |   |   |
| <b>Rating data</b>  |          |                 |          |                 |        |       |         |         |         |    |      |   |         |   |   |   |         |   |    |   |   |   |   |    |   |   |
|   |          | Constant Torque |          | Variable Torque |        |       |         |         |         |    |      |   |         |   |   |   |         |   |    |   |   |   |   |    |   |   |
| Supply voltage  |          | kW/A            | HP/A     | kW/A            | HP/A   | Frame |         |         |         |    |      |   |         |   |   |   |         |   |    |   |   |   |   |    |   |   |
| <b>230 V 1phase</b>   |          |                 |          |                 |        |       |         | 21      |         |    |      |   |         |   |   |   |         |   |    |   |   |   |   |    |   |   |
| Power/<br>Current<br>Rating   | 0.25/1.5 |                 | 0.3/1.5  |                 |        | 1     |         |         |         |    | 1150 | 1 |         |   |   |   |         |   |    |   |   |   |   |    |   |   |
|   | 0.37/2.2 |                 | 0.5/2.2  |                 |        | 1     |         |         |         |    | 1220 | 1 |         |   |   |   |         |   |    |   |   |   |   |    |   |   |
|   | 0.55/3.0 |                 | 0.75/3.0 |                 |        | 1     |         |         |         |    | 1300 | 1 |         |   |   |   |         |   |    |   |   |   |   |    |   |   |
|   | 0.75/4.0 |                 | 1.0/4.0  |                 |        | 1     |         |         |         |    | 1400 | 1 |         |   |   |   |         |   |    |   |   |   |   |    |   |   |
|   | 1.1/5.5  |                 | 1.5/5.5  |                 |        | 2     |         |         |         |    | 1550 | 2 |         |   |   |   |         |   |    |   |   |   |   |    |   |   |
|   | 1.5/7.0  |                 | 2.0/7.0  |                 |        | 2     |         |         |         |    | 1700 | 2 |         |   |   |   |         |   |    |   |   |   |   |    |   |   |
| <b>230 V 1/3phase</b>   |          |                 |          |                 |        |       |         | 22      |         |    |      |   |         |   |   |   |         |   |    |   |   |   |   |    |   |   |
|   |          | 2.2/9.6         | 3.0/9.6  |                 |        | 3     |         |         |         |    | 1960 | 3 |         |   |   |   |         |   |    |   |   |   |   |    |   |   |
| <b>230 V 3phase</b>   |          |                 |          |                 |        |       |         | 23      |         |    |      |   |         |   |   |   |         |   |    |   |   |   |   |    |   |   |
|   |          | 3.0/12.3        | 4/12.3   |                 |        | 3     |         |         |         |    | 2123 | 3 |         |   |   |   |         |   |    |   |   |   |   |    |   |   |
|   |          | 4.0/16.4        | 5/16.4   |                 |        | 3     |         |         |         |    | 2164 | 3 |         |   |   |   |         |   |    |   |   |   |   |    |   |   |
|   |          | 5.5/22          | 7.5/22   | 7.5/28          | 10/28  | C     |         |         |         |    | 2220 | C |         |   |   |   |         |   |    |   |   |   |   |    |   |   |
|   |          | 7.5/28          | 10/28    | 11/42           | 15/42  | C     |         |         |         |    | 2280 | C |         |   |   |   |         |   |    |   |   |   |   |    |   |   |
|   |          | 11/42           | 15/42    | 15/54           | 20/54  | D     |         |         |         |    | 2420 | D |         |   |   |   |         |   |    |   |   |   |   |    |   |   |
|   |          | 15/54           | 20/54    | 18.5/68         | 25/68  | D     |         |         |         |    | 2540 | D |         |   |   |   |         |   |    |   |   |   |   |    |   |   |
|   |          | 18.5/68         | 25/68    | 18.5/68         | 25/68  | D     |         |         |         |    | 2680 | D |         |   |   |   |         |   |    |   |   |   |   |    |   |   |
|   |          | 22/80           | 30/80    | 30/104          | 40/104 | E     |         |         |         |    | 2800 | E |         |   |   |   |         |   |    |   |   |   |   |    |   |   |
|   |          | 30/104          | 40/104   | 37/130          | 50/130 | F     |         |         |         |    | 3104 | F |         |   |   |   |         |   |    |   |   |   |   |    |   |   |
|   |          | 37/130          | 50/130   | 45/154          | 60/154 | F     |         |         |         |    | 3130 | F |         |   |   |   |         |   |    |   |   |   |   |    |   |   |
|   |          | 45/154          | 60/154   | 55/192          | 75/192 | F     |         |         |         |    | 3154 | F |         |   |   |   |         |   |    |   |   |   |   |    |   |   |
| <b>Auxiliary supply</b>   |          |                 |          |                 |        |       |         |         |         |    |      |   |         |   |   |   |         |   |    |   |   |   |   |    |   |   |
| Not required (not available on frames 1-3 & frames C-E)                             |          |                 |          |                 |        |       |         |         |         |    |      |   |         |   |   |   |         |   |    |   |   |   | 0 |    |   |   |
| 115 V 1ph (frame F only)  |          |                 |          |                 |        |       |         |         |         |    |      |   |         |   |   |   |         |   |    |   |   |   | 1 |    |   |   |
| 230 V 1ph (frame F only)  |          |                 |          |                 |        |       |         |         |         |    |      |   |         |   |   |   |         |   |    |   |   |   | 2 |    |   |   |
| <b>Brake switch</b>   |          |                 |          |                 |        |       |         |         |         |    |      |   |         |   |   |   |         |   |    |   |   |   |   |    |   |   |
| Not fitted (not available on frames 1-2 230 V products)                             |          |                 |          |                 |        |       |         |         |         |    |      |   |         |   |   |   |         |   |    |   |   |   | 0 |    |   |   |
| Brake switch fitted (must be fitted on frame 2 400/460 V, and all frame 3 products) |          |                 |          |                 |        |       |         |         |         |    |      |   |         |   |   |   |         |   |    |   |   |   |   | B  |   |   |
| <b>Filter</b>   |          |                 |          |                 |        |       |         |         |         |    |      |   |         |   |   |   |         |   |    |   |   |   |   |    |   |   |
| Not fitted  |          |                 |          |                 |        |       |         |         |         |    |      |   |         |   |   |   |         |   |    |   |   |   |   | 0  |   |   |
| Filter fitted   |          |                 |          |                 |        |       |         |         |         |    |      |   |         |   |   |   |         |   |    |   |   |   |   | F  |   |   |
| <b>Communications</b>   |          |                 |          |                 |        |       |         |         |         |    |      |   |         |   |   |   |         |   |    |   |   |   |   |    |   |   |
| RS232 port fitted   |          |                 |          |                 |        |       |         |         |         |    |      |   |         |   |   |   |         |   |    |   |   |   |   | 1  |   |   |
| RS232 & RS485 port fitted (frame C-F only)  |          |                 |          |                 |        |       |         |         |         |    |      |   |         |   |   |   |         |   |    |   |   |   |   | 2  |   |   |
| <b>Mounting</b>   |          |                 |          |                 |        |       |         |         |         |    |      |   |         |   |   |   |         |   |    |   |   |   |   |    |   |   |
| Panel mounting (standard fitting)   |          |                 |          |                 |        |       |         |         |         |    |      |   |         |   |   |   |         |   |    |   |   |   |   | P  |   |   |
| Wall mount (option on frames C-F only)  |          |                 |          |                 |        |       |         |         |         |    |      |   |         |   |   |   |         |   |    |   |   |   |   |    | W |   |
| Through panel mount (option on frames C-E only)                                     |          |                 |          |                 |        |       |         |         |         |    |      |   |         |   |   |   |         |   |    |   |   |   |   |    | T |   |
| <b>Special option</b>   |          |                 |          |                 |        |       |         |         |         |    |      |   |         |   |   |   |         |   |    |   |   |   |   |    |   |   |
| None  |          |                 |          |                 |        |       |         |         |         |    |      |   |         |   |   |   |         |   |    |   |   |   |   | 00 |   |   |
| Documented special options (01-99) (Refer to local sales office)                    |          |                 |          |                 |        |       |         |         |         |    |      |   |         |   |   |   |         |   |    |   |   |   |   |    |   |   |
| <b>Language</b>   |          |                 |          |                 |        |       |         |         |         |    |      |   |         |   |   |   |         |   |    |   |   |   |   |    |   |   |
| English (50 Hz)   |          |                 |          |                 |        |       |         |         |         |    |      |   |         |   |   |   |         |   |    |   |   |   |   |    | A |   |
| English (60 Hz)   |          |                 |          |                 |        |       |         |         |         |    |      |   |         |   |   |   |         |   |    |   |   |   |   |    |   | B |
| German  |          |                 |          |                 |        |       |         |         |         |    |      |   |         |   |   |   |         |   |    |   |   |   |   |    | D |   |
| Spanish   |          |                 |          |                 |        |       |         |         |         |    |      |   |         |   |   |   |         |   |    |   |   |   |   |    |   | E |
| French  |          |                 |          |                 |        |       |         |         |         |    |      |   |         |   |   |   |         |   |    |   |   |   |   |    |   | F |
| Italian   |          |                 |          |                 |        |       |         |         |         |    |      |   |         |   |   |   |         |   |    |   |   |   |   |    |   | I |
| Swedish   |          |                 |          |                 |        |       |         |         |         |    |      |   |         |   |   |   |         |   |    |   |   |   |   |    |   | S |
| <b>Keypad</b>   |          |                 |          |                 |        |       |         |         |         |    |      |   |         |   |   |   |         |   |    |   |   |   |   |    |   |   |
| None  |          |                 |          |                 |        |       |         |         |         |    |      |   |         |   |   |   |         |   |    |   |   |   |   |    | 0 |   |
| 6511 TTL fitted (option on frames 1-3 only, local mounting only)                    |          |                 |          |                 |        |       |         |         |         |    |      |   |         |   |   |   |         |   |    |   |   |   |   |    |   | 1 |
| 6511 RS232 fitted (option on frames 1-3 only, local or remote mounting)             |          |                 |          |                 |        |       |         |         |         |    |      |   |         |   |   |   |         |   |    |   |   |   |   |    |   | 2 |
| 6521 RS232 fitted (option on frames C-F only, local or remote mounting)             |          |                 |          |                 |        |       |         |         |         |    |      |   |         |   |   |   |         |   |    |   |   |   |   |    |   | 3 |



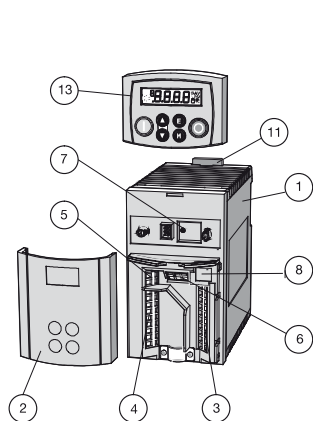
## AC650V Series High Performance AC Drive - 400 V

|   | Example | Block 1  | Block 2  |                 |                 |          | Block 3  |       |   |   | Block 4 |      |    |
|---|---------|----------|----------|-----------------|-----------------|----------|----------|-------|---|---|---------|------|----|
|   |         | 650V     | - 21     | 1150            | 1               | 0        | - B      | 0     | 0 | P | 00      | - A  | 0  |
| <b>Product family</b>   |         |          |          |                 |                 |          |          |       |   |   |         |      |    |
| AC650V AC Drive - Sensorless Flux Vector Control                                    |         | 650V     |          |                 |                 |          |          |       |   |   |         |      |    |
| <b>Rating data</b>  |         |          |          |                 |                 |          |          |       |   |   |         |      |    |
|   |         |          |          | Constant Torque | Variable Torque |          |          |       |   |   |         |      |    |
|   |         |          |          | kW/A            | HP/A            | kW/A     | HP/A     | Frame |   |   |         |      |    |
|   |         |          |          | @400 VAC        | @460 VAC        | @400 VAC | @460 VAC |       |   |   |         |      |    |
| Supply voltage  |         |          |          |                 |                 |          |          |       |   |   |         |      |    |
| 400/460 V 3phase  |         |          |          |                 |                 |          |          |       |   |   | 43      |      |    |
| Power/  |         | 0.37/1.5 | 0.5/1.5  |                 |                 |          |          | 2     |   |   |         | 1150 | 2  |
| Current   |         | 0.55/2.0 | 0.75/2.0 |                 |                 |          |          | 2     |   |   |         | 1200 | 2  |
| Rating  |         | 0.75/2.5 | 1.0/2.5  |                 |                 |          |          | 2     |   |   |         | 1250 | 2  |
|   |         | 1.1/3.5  | 1.5/3.5  |                 |                 |          |          | 2     |   |   |         | 1350 | 2  |
|   |         | 1.5/4.5  | 2.0/4.5  |                 |                 |          |          | 2     |   |   |         | 1450 | 2  |
|   |         | 2.2/5.5  | 3.0/5.5  |                 |                 |          |          | 2     |   |   |         | 1550 | 2  |
|   |         | 3.0/6.8  | 4.0/6.8  |                 |                 |          |          | 3     |   |   |         | 1680 | 3  |
|   |         | 4.0/9.0  | 5.0/9.0  |                 |                 |          |          | 3     |   |   |         | 1900 | 3  |
|   |         | 5.5/12   | 7.5/12   |                 |                 |          |          | 3     |   |   |         | 2120 | 3  |
|   |         | 7.5/16   | 10/16    |                 |                 |          |          | 3     |   |   |         | 2160 | 3  |
| 400/460 V 3phase  |         |          |          |                 |                 |          |          |       |   |   | 43      |      |    |
|   |         | 7.5/16   | 10/14    | 11/23           | 15/21           | C        |          |       |   |   |         | 2160 | C  |
|   |         | 11/23    | 15/21    | 15/30           | 20/27           | C        |          |       |   |   |         | 2230 | C  |
|   |         | 15/30    | 20/27    | 18.5/37         | 25/34           | C        |          |       |   |   |         | 2300 | C  |
|   |         | 15/31    | 20/31    | 18.5/38         | 25/38           | D        |          |       |   |   |         | 2310 | D  |
|   |         | 18.5/38  | 25/38    | 22/45           | 30/45           | D        |          |       |   |   |         | 2380 | D  |
|   |         | 22/45    | 30/45    | 30/59           | 40/52           | D        |          |       |   |   |         | 2450 | D  |
|   |         | 30/59    | 40/52    | 37/73           | 50/65           | D        |          |       |   |   |         | 2590 | D  |
|   |         | 30/59    | 40/59    | 37/73           | 50/73           | E        |          |       |   |   |         | 2590 | E  |
|   |         | 37/73    | 50/73    | 45/87           | 60/87           | E        |          |       |   |   |         | 2730 | E  |
|   |         | 45/87    | 60/87    | 55/105          | 75/105          | E        |          |       |   |   |         | 2870 | E  |
|   |         | 55/105   | 75/100   | 75/145          | 100/125         | F        |          |       |   |   |         | 3105 | F  |
|   |         | 75/145   | 100/130  | 90/165          | 125/156         | F        |          |       |   |   |         | 3145 | F  |
|   |         | 90/180   | 150/180  | 110/205         | 150/205         | F        |          |       |   |   |         | 3180 | F  |
| <b>Auxiliary supply</b>   |         |          |          |                 |                 |          |          |       |   |   |         |      |    |
| Not required (not available on frames 1-3 & frames C-E)                             |         |          |          |                 |                 |          |          |       |   |   |         |      | 0  |
| 115 V 1ph (frame F only)  |         |          |          |                 |                 |          |          |       |   |   |         |      | 1  |
| 230 V 1ph (frame F only)  |         |          |          |                 |                 |          |          |       |   |   |         |      | 2  |
| <b>Brake switch</b>   |         |          |          |                 |                 |          |          |       |   |   |         |      |    |
| Not fitted  |         |          |          |                 |                 |          |          |       |   |   |         |      | 0  |
| Brake switch fitted (must be fitted on frame 2 400/460 V, and all frame 3 products) |         |          |          |                 |                 |          |          |       |   |   |         |      | B  |
| <b>Filter</b>   |         |          |          |                 |                 |          |          |       |   |   |         |      |    |
| Not fitted (option on frames 1-3 and must be selected for frames C-F)               |         |          |          |                 |                 |          |          |       |   |   |         |      | 0  |
| Filter fitted (option on frame 1-3 only)  |         |          |          |                 |                 |          |          |       |   |   |         |      | F  |
| <b>Communications</b>   |         |          |          |                 |                 |          |          |       |   |   |         |      |    |
| RS232 port fitted   |         |          |          |                 |                 |          |          |       |   |   |         |      | 1  |
| RS232 & RS485 port fitted (frame C-F only)  |         |          |          |                 |                 |          |          |       |   |   |         |      | 2  |
| <b>Mounting</b>   |         |          |          |                 |                 |          |          |       |   |   |         |      |    |
| Panel mounting (standard fitting)   |         |          |          |                 |                 |          |          |       |   |   |         |      | P  |
| Wall mount (option on frames C-E only)  |         |          |          |                 |                 |          |          |       |   |   |         |      | W  |
| Through panel mount (option on frames C-E only)                                     |         |          |          |                 |                 |          |          |       |   |   |         |      | T  |
| <b>Special option</b>   |         |          |          |                 |                 |          |          |       |   |   |         |      |    |
| None  |         |          |          |                 |                 |          |          |       |   |   |         |      | 00 |
| Documented special options (01-99) (Refer to local sales office)                    |         |          |          |                 |                 |          |          |       |   |   |         |      |    |
| <b>Language</b>   |         |          |          |                 |                 |          |          |       |   |   |         |      |    |
| English (50 Hz)   |         |          |          |                 |                 |          |          |       |   |   |         |      | A  |
| English (60 Hz)   |         |          |          |                 |                 |          |          |       |   |   |         |      | B  |
| German  |         |          |          |                 |                 |          |          |       |   |   |         |      | D  |
| Spanish   |         |          |          |                 |                 |          |          |       |   |   |         |      | E  |
| French  |         |          |          |                 |                 |          |          |       |   |   |         |      | F  |
| Italian   |         |          |          |                 |                 |          |          |       |   |   |         |      | I  |
| Swedish   |         |          |          |                 |                 |          |          |       |   |   |         |      | S  |
| <b>Keypad</b>   |         |          |          |                 |                 |          |          |       |   |   |         |      |    |
| None  |         |          |          |                 |                 |          |          |       |   |   |         |      | 0  |
| 6511 TTL fitted (option on frames 1-3 only, local mounting only)                    |         |          |          |                 |                 |          |          |       |   |   |         |      | 1  |
| 6511 RS232 fitted (option on frames 1-3 only, local or remote mounting)             |         |          |          |                 |                 |          |          |       |   |   |         |      | 2  |
| 6521 RS232 fitted (option on frames C-F only, local or remote mounting)             |         |          |          |                 |                 |          |          |       |   |   |         |      | 3  |

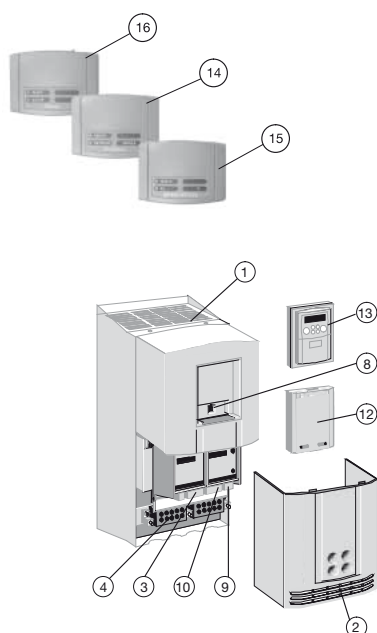
# Accessories and Options

## AC650/AC650V/AC650S Series AC Drive

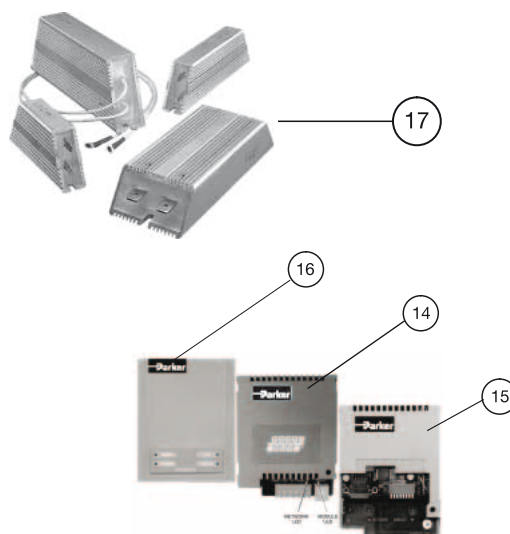
| Options                |  | Frame                     | AC650V only | Fitting        | Reference       |   |
|------------------------|--|---------------------------|-------------|----------------|-----------------|---|
| <b>AC Inverters</b>    |  |                           |             |                |                 |   |
| 1                      | Inverter housing   | 1-F                       |             | Standard       | See order code  |   |
| 2                      | Terminal Cover (simplified wiring diagram)                                   |                           |             |                |                 |   |
| 3                      | Control wiring terminals   |                           |             |                |                 |   |
| 4                      | Power wiring terminals   |                           |             |                |                 |   |
| 5                      | Volt-free relay contact  |                           |             |                |                 |   |
| 6                      | Encoder / Digital Inputs   |                           | √           |                |                 |   |
| 7                      | Power On LED   |                           |             |                |                 |   |
| 8                      | RS232 P3 port for remote mounting of operator keypad                         |                           | √           |                |                 |   |
| 9                      | RS232 P3 port for programming  |                           | C-F         |                |                 | √ |
| 10                     | RS485 port   |                           | C-F         |                |                 |   |
| 11                     | DIN Rail mounting clip   |                           | 1-3         |                |                 |   |
| 12                     | Front cover  |                           | C-F         |                |                 |   |
| <b>Operator keypad</b> |  |                           |             |                |                 |   |
| 13                     | TTL keypad (local mounting only)   | 1-3                       |             | Standard       | 6511-TTL-00     |   |
|                        | RS232 keypad (remote mountable)  | 1-3                       | √           | Option         | 6511-RS232-00   |   |
|                        |  | C-F                       | √           | Standard       | 6521/00/G       |   |
| <b>Communication</b>   |  |                           |             |                |                 |   |
| 14                     | Profibus communications card   | 1-3                       | √           | Factory Option | 6513-PROF-00    |   |
|                        |  | C-F                       | √           | Factory Option | 6523/PROF/00    |   |
| 15                     | RS232/RS485 communication card (Modbus RTU, EI Bisync F1/3)                  | 1-3                       | √           | Factory Option | 6513-EI00-00    |   |
|                        |  | C-F                       | √           | Factory Option | See order codes |   |
| <b>Other options</b>   |  |                           |             |                |                 |   |
| 16                     | Cloning module for the storage and transfer of up to 10 drive configurations | 1-3, C-F                  |             | Option         | 6514-00         |   |
| <b>Accessories</b>     |  |                           |             |                |                 |   |
| 17                     | Brake resistor   | See corresponding section |             |                |                 |   |



Frames 1 - 3 up to 7.5 kW



Frames C - F up to 110 kW



## Options

### Cloning Module

#### Description

The cloning module can be used with the complete range of the AC650 / AC650V series of AC drives.

It allows the user to store up to 10 separate drive configurations which can then be transferred between different drives. The configurations can be mapped between different drive sizes. This is an invaluable tool for commissioning or plant maintenance personnel allowing drives to be backed up and reconfigured simply and easily.



#### Product Codes

| Order Code | Description    | Suitable for |
|------------|----------------|--------------|
| 6514-00    | Cloning Module | AC650/AC650V |

### RS485 Modbus Interface

#### Description

The RS485/RS232 communications interface provides serial data communication, allowing an AC650V drive to connect to a Modbus RTU network as a slave station.

#### Features

- Protocols : ModBus RTU or EI-6ASCII
- Compatible with AC650/650V version 4.x and above
- Connection by shielded twisted pair cable (RS485)
- Connection by shielded 3 core cable (RS232)
- Configuration of input function blocks
- Baud rate configurable by software
- Slave address configurable by software
- Direct access to all drive parameters



#### Product Codes

| Order Code   | Description                          | Suitable for      |
|--------------|--------------------------------------|-------------------|
| 6513-E100-00 | RS485/RS232 Communications Interface | AC650V Frames 1-3 |

### Operator Keypads



6511-xxxx-00

#### Product Codes

| Order Code    | Description                     | Suitable for             |
|---------------|---------------------------------|--------------------------|
| 6511-TTL-00   | TTL keypad (local mounting)     | AC650, AC650V Frames 1-3 |
| 6511-RS232-00 | RS232 keypad (remote mountable) | AC650, AC650V Frames 1-3 |
| 6521-00-G     | RS232 keypad (remote mountable) | AC650V Frames C-F        |



6521-00-G

## Options

### PROFIBUS-DP Interface

#### Description

The PROFIBUS option supports the PROFIBUS-DP PROFIBUS protocol, designed specifically for communication between a PLC system and remote I/O. The PROFIBUS interface enables the drive to connect to a PROFIBUS-DP as a slave station.

#### Features

- PROFIBUS-DP network
- Connection by shielded twisted pair
- Baud rate configurable by software up to 12M Baud
- LED indication of card and communication status
- Compatible with AC inverters AC650V vers 4.9+



PROFIBUS Module 6513-PROF-00  
(AC650V Frames 1, 2, 3)



PROFIBUS Module 6523-PROF-00  
(AC650V Frames C-F)

#### Product Codes

| Order Code   | Description                          | Suitable for              |
|--------------|--------------------------------------|---------------------------|
| 6513-PROF-00 | PROFIBUS-DP communications interface | AC650, AC650V Frames 1-3  |
| 6523-PROF-00 | PROFIBUS-DP communications interface | AC650V Frames C, D, E & F |

## Braking Resistors

### for AC Drives

#### Description

Brake resistors are used with AC650, AC650V, or AC690 drives equipped with a braking option modules. They are designed to allow the drive to stop a motor at full load during deceleration or an overhauling load.



#### Brake resistor selection

Brake resistor assemblies must be rated to absorb both peak braking power during deceleration and the average power over the complete cycle.

#### Resistors above 500 W

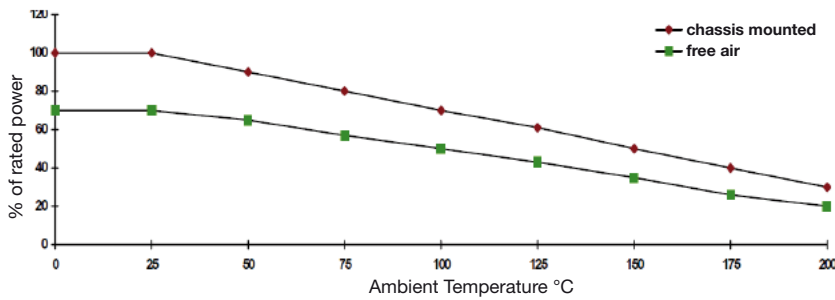
Resistors above 500 W are available upon request :

- IP20 protection up to 3 kW
- IP13 protection between 4.2 and 9.8 kW

$$\text{Peak braking power} = \frac{0.0055J \times (n1^2 - n2^2) \text{ (W)}}{tb}$$

$$\text{Average braking power } P_{av} = \frac{P_{pk} \times tb}{tc}$$

J - total inertia in kgm<sup>2</sup>  
n1 - initial speed in min<sup>-1</sup>  
n2 - final speed min<sup>-1</sup>  
tb - braking time in s  
tc - cycle time in s

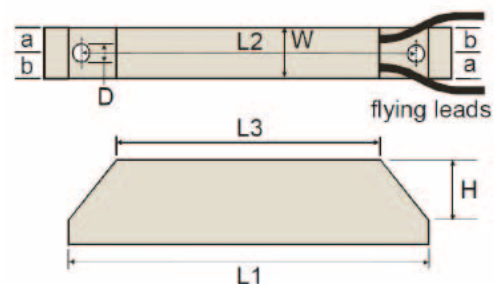


### Dimensions

| Nominal Power [kW] | Dimensions |        |        |
|--------------------|------------|--------|--------|
|                    | L [mm]     | H [mm] | P [mm] |
| 1.0                | 137        | 450    | 140    |
| 1.6                | 182        | 450    | 140    |
| 2.0                | 182        | 450    | 140    |
| 2.5                | 227        | 450    | 140    |
| 3.0                | 227        | 450    | 140    |
| 4.2                | 450        | 440    | 540    |
| 5.6                | 530        | 440    | 540    |
| 7.0                | 530        | 440    | 540    |
| 8.4                | 610        | 440    | 540    |
| 9.8                | 610        | 440    | 540    |

| Model    | Impedance [Ω] | Nom. Power [W] | Dimensions |     |     |    |    |     |    |    |  |
|----------|---------------|----------------|------------|-----|-----|----|----|-----|----|----|--|
|          |               |                | L1         | L2  | L3  | W  | H  | D   | a  | b  |  |
| CZ467715 | 500           | 60             | 100        | 87  | 60  | 22 | 41 | 4.3 | 10 | 12 |  |
| CZ467714 | 200           | 100            | 165        | 152 | 125 | 22 | 41 | 4.3 | 10 | 12 |  |
| CZ389853 | 100           | 100            | 165        | 152 | 125 | 22 | 41 | 4.3 | 10 | 12 |  |
| CZ467717 | 100           | 200            | 165        | 146 | 125 | 30 | 60 | 4.3 | 13 | 17 |  |
| CZ463068 | 56            | 200            | 165        | 146 | 125 | 30 | 60 | 4.3 | 13 | 17 |  |
| CZ388397 | 56            | 200            | 165        | 146 | 125 | 30 | 60 | 4.3 | 13 | 17 |  |
| CZ388396 | 36            | 500            | 335        | 316 | 295 | 30 | 60 | 4.3 | 13 | 17 |  |
| CZ467716 | 28x2          | 500            | 335        | 316 | 295 | 30 | 60 | 4.3 | 13 | 17 |  |

Overload 5 s : 500 %  
Overload 3 s : 833 %  
Overload 1 s : 2500 %



## EMC Filters

### for AC Drives

#### Description

A range of custom designed optional EMC (Electromagnetic Compatibility) filters are available for use with Parker SSD Drives product range.

They are used to help achieve conformance with the EMC directive BS EN 61800-3:2004 - “Adjustable speed electrical power drive systems - Part 3”.

Installation of the drive must be in accordance with the installation guidelines in the product manual. The filters comply with the relevant standards as outlined in the following table.

**1st Environment** : Drives directly connected without intermediate transformers to a low voltage (<100 Vrms) supply network that is part of a network that also supplies buildings used for domestic purposes.

**2nd Environment** : Establishments where there is no direct connection to a low voltage supply network that also supplies buildings used for domestic purpose.

**TN Earthing** = Grounded neutral AC supply <460 VAC

**IT Earthing** = Ungrounded neutral AC supply <500 VAC

**Ext. Filter** = External filter

**Ext. Filter FP** = Footprint external filter

### EMC Filters

| AC Drives   | 2nd Environment (Industrial)                  | 1st Environment (Domestic)                      |
|-------------|---|---|
| 650 / 650V  |   |   |
| Frame 1-3   | Indicated by an F in the product code         | Indicated by an F in the product code           |
| 650V / 690P |   |   |
| Frame B     | Indicated by an F in the product code         | Indicated by an F in the product code           |
| Frame C     | Standard                                      | TN/IT AC Supply Ext. Filter FP C0467842U044     |
| Frame D     | Standard                                      | TN/IT AC Supply Ext. Filter FP C0467842U084     |
| Frame E     | Standard                                      | TN/IT AC Supply Ext. Filter FP C0467842U105     |
| Frame F     | Standard                                      | TN/IT AC Supply Ext. Filter FP C0467842U215     |
| Frame G/H/J | (690PG-1100 and 690PG-1320)                   | TN and IT AC Supply Ext. Filter FP C0467842U340 |
|             | (690PG-1600 and 690PG-1800 and frame H and J) | TN and IT Ext. Filter 2 x FP C0467842U340       |



## EMC Filters

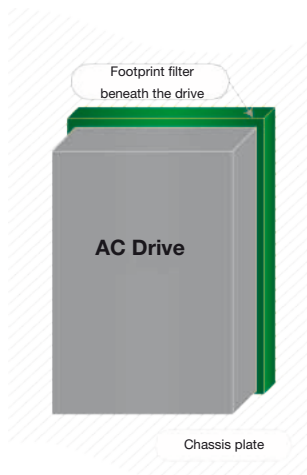
for AC Drives

IP40 mounted: use mounting kits below

| Filter       | Mounting Kit |
|--------------|--------------|
| CO467842U020 | BA467840U020 |
| CO467842U044 | BA467840U044 |
| CO467842U084 | BA467840U084 |
| CO467842U105 | BA467840U105 |

### Dimensions

| Filter Reference | Terminal size [mm <sup>2</sup> ] | Earth terminal [mm] | Gland mountings [mm] | Filter dimensions [mm] | Fixing centres [mm] | Weight [kg] |
|------------------|----------------------------------|---------------------|----------------------|------------------------|---------------------|-------------|
| CO467842U044     | 10                               | 5                   | 4 x 4                | 400 x 178x 55          | 384 x 150           | 2.1         |
| CO467842U084     | 25                               | 6                   | 4 x 4                | 513 x 233 x 70         | 495 x 208           | 4.2         |
| CO467842U105     | 50                               | 8                   | 4 x 4                | 698 x 250 x 80         | 680 x 216           | 6.2         |
| CO467842U215     | 95                               | 8                   | N/A                  | 825 x 250 x 115        | 795 x 216           | N/A         |



Drive mounted on an external footprint filter

## Three Phase Line Reactors

### for AC Drives

#### Description

Parker's range of line reactors have been especially selected to match the requirements of the Parker AC drive range and can be used on both the input and output sides of the drive. They are used to reduce the harmonic content of the supply current. A choke fitted in the drive output limits the capacitive current when motor cable runs in excess of 50 m are used. It prevents overcurrent trips and temperature rise of the motor.

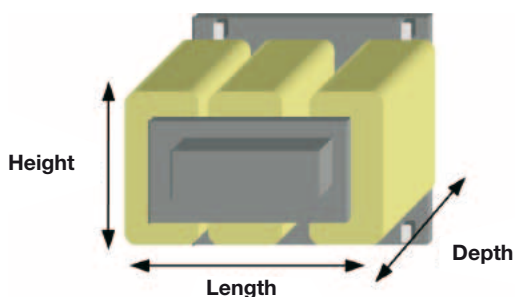
As well as helping with compliance with IEEE 519 there are other benefits to using line/load reactors including:

- Increased drive system reliability
- Reduced harmonics / surge currents
- Reduced motor noise and temperature
- Improved true power factor

#### Dimensions

| Order Reference | Inductance | In [A] | Height [mm] | Length [mm] | Depth [mm] | Fixing Centres mm | Weight (approx.) [kg] |
|-----------------|------------|--------|-------------|-------------|------------|-------------------|-----------------------|
| CO389936U401    | 75 µH      | 315    | 215         | 330         | 320        | 175 x 225         | 70                    |
| CO389936U402    | 50 µH      | 480    | 215         | 330         | 320        | 175 x 225         | 95                    |
| CO466448U040    | 50 µH      | 36     | 70          | 155         | 127        | 48 x 140          | 2.5                   |
| CO466448U165    | 50 µH      | 148.5  | 115         | 190         | 155        | 93 x 170          | 12                    |
| CO466709U038    | 30 µH      | 342    | 370         | 350         | 226        | 240 x 320         | 38                    |
| CO466709U050    | 25 µH      | 450    | 431         | 420         | 226        | 290 x 381         | 53                    |
| CO466709U073    | 20 µH      | 653    | 431         | 420         | 226        | 290 x 381         | 60                    |
| CO466709U083    | 15 µH      | 747    | 431         | 420         | 226        | 290 x 381         | 69                    |
| CO468314U650    | 5 µH       | 650    | 30          | 300         | 325*       | 100 x 250         | 35                    |
| CO468325U006    | 1.749 mH   | 12.7   | 83          | 157         | 160*       | 60 x 80           | 6                     |
| CO468325U037    | 0.416 mH   | 54     | 110         | 240         | 250*       | 80 x 200          | 13                    |
| CO468325U110    | 0.137 mH   | 165    | 140         | 300         | 310*       | 110 x 240         | 30                    |
| CO468326U006    | 2.917 mH   | 12.8   | 170         | 240         | 260*       | 80 x 140          | 17                    |
| CO468326U037    | 0.693 mH   | 54     | 240         | 360         | 380*       | 120 x 200         | 50                    |
| CO468326U110    | 0.227 mH   | 165    | 320         | 390         | 490*       | 280 x 260         | 130                   |
| CO468325U055    | 0.282 mH   | 79     | 130         | 240         | 250*       | 100 x 200         | 19                    |
| CO466448U015    | 50 µH      | 13.5   | 60          | 80          | 67         | 64 x 40           | 1                     |
| CO466448U110    | 50 µH      | 100    | 100         | 190         | 155        | 170 x 75          | 7.5                   |
| CO468326U006    | 2.917 mH   | 12.8   | 170         | 240         | 260        | 80 x 140          | 17                    |
| CO466448U070    | 50 µH      | 63     | 85          | 155         | 127        | 140 x 63          | 4.5                   |
| CO466250U012    | 15 µH      | 1080   | 400         | 420         | 450        | 300 x 140         | 170                   |

\* Include Earth Stud



## Accessories For All AC Drives

### Drive System Explorer Lite (DSE Lite) Software

#### Description

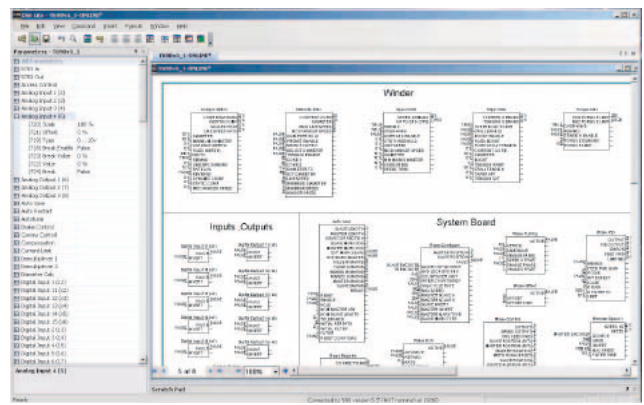
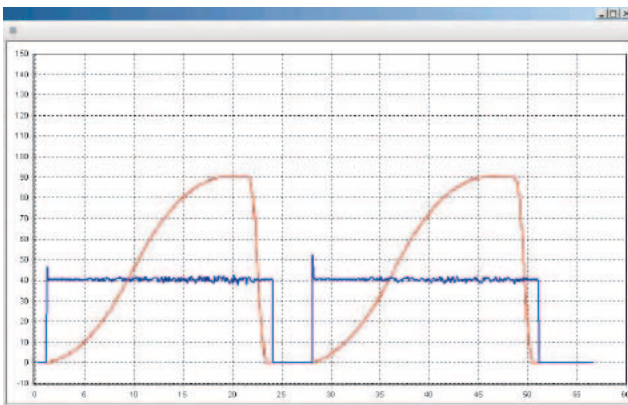
DSE LITE software is an easy to use configuration, commissioning and monitoring tool with graphical interface for the Parker SSD Drives range of AC and DC drives.

While the drive is in running mode the oscilloscope function allows “on-line” monitoring of selected parameters and the recording of trends.

DSE LITE, allows the user to create, parameterize and configure user defined applications thanks to function blocks dedicated to speed control, Winder, PID, Diameter calculator, Shaftless...

DSE LITE is downloadable from our website.

[www.parker.com](http://www.parker.com)



# Parker Worldwide

## Europe, Middle East, Africa

**AE – United Arab Emirates, Dubai**  
Tel: +971 4 8127100  
parker.me@parker.com

**AT – Austria, Wiener Neustadt**  
Tel: +43 (0)2622 23501-0  
parker.austria@parker.com

**AT – Eastern Europe, Wiener Neustadt**  
Tel: +43 (0)2622 23501 900  
parker.easteurope@parker.com

**AZ – Azerbaijan, Baku**  
Tel: +994 50 2233 458  
parker.azerbaijan@parker.com

**BE/LU – Belgium, Nivelles**  
Tel: +32 (0)67 280 900  
parker.belgium@parker.com

**BY – Belarus, Minsk**  
Tel: +375 17 209 9399  
parker.belarus@parker.com

**CH – Switzerland, Etoy**  
Tel: +41 (0)21 821 87 00  
parker.switzerland@parker.com

**CZ – Czech Republic, Klecany**  
Tel: +420 284 083 111  
parker.czechrepublic@parker.com

**DE – Germany, Kaarst**  
Tel: +49 (0)2131 4016 0  
parker.germany@parker.com

**DK – Denmark, Ballerup**  
Tel: +45 43 56 04 00  
parker.denmark@parker.com

**ES – Spain, Madrid**  
Tel: +34 902 330 001  
parker.spain@parker.com

**FI – Finland, Vantaa**  
Tel: +358 (0)20 753 2500  
parker.finland@parker.com

**FR – France, Contamine s/Arve**  
Tel: +33 (0)4 50 25 80 25  
parker.france@parker.com

**GR – Greece, Athens**  
Tel: +30 210 933 6450  
parker.greece@parker.com

**HU – Hungary, Budapest**  
Tel: +36 1 220 4155  
parker.hungary@parker.com

**IE – Ireland, Dublin**  
Tel: +353 (0)1 466 6370  
parker.ireland@parker.com

**IT – Italy, Corsico (MI)**  
Tel: +39 02 45 19 21  
parker.italy@parker.com

**KZ – Kazakhstan, Almaty**  
Tel: +7 7272 505 800  
parker.easteurope@parker.com

**NL – The Netherlands, Oldenzaal**  
Tel: +31 (0)541 585 000  
parker.nl@parker.com

**NO – Norway, Asker**  
Tel: +47 66 75 34 00  
parker.norway@parker.com

**PL – Poland, Warsaw**  
Tel: +48 (0)22 573 24 00  
parker.poland@parker.com

**PT – Portugal, Leca da Palmeira**  
Tel: +351 22 999 7360  
parker.portugal@parker.com

**RO – Romania, Bucharest**  
Tel: +40 21 252 1382  
parker.romania@parker.com

**RU – Russia, Moscow**  
Tel: +7 495 645-2156  
parker.russia@parker.com

**SE – Sweden, Spånga**  
Tel: +46 (0)8 59 79 50 00  
parker.sweden@parker.com

**SK – Slovakia, Banská Bystrica**  
Tel: +421 484 162 252  
parker.slovakia@parker.com

**SL – Slovenia, Novo Mesto**  
Tel: +386 7 337 6650  
parker.slovenia@parker.com

**TR – Turkey, Istanbul**  
Tel: +90 216 4997081  
parker.turkey@parker.com

**UA – Ukraine, Kiev**  
Tel: +380 44 494 2731  
parker.ukraine@parker.com

**UK – United Kingdom, Warwick**  
Tel: +44 (0)1926 317 878  
parker.uk@parker.com

**ZA – South Africa, Kempton Park**  
Tel: +27 (0)11 961 0700  
parker.southafrica@parker.com

## North America

**CA – Canada, Milton, Ontario**  
Tel: +1 905 693 3000

**US – USA, Cleveland**  
Tel: +1 216 896 3000

## Asia Pacific

**AU – Australia, Castle Hill**  
Tel: +61 (0)2-9634 7777

**CN – China, Shanghai**  
Tel: +86 21 2899 5000

**HK – Hong Kong**  
Tel: +852 2428 8008

**IN – India, Mumbai**  
Tel: +91 22 6513 7081-85

**JP – Japan, Tokyo**  
Tel: +81 (0)3 6408 3901

**KR – South Korea, Seoul**  
Tel: +82 2 559 0400

**MY – Malaysia, Shah Alam**  
Tel: +60 3 7849 0800

**NZ – New Zealand, Mt Wellington**  
Tel: +64 9 574 1744

**SG – Singapore**  
Tel: +65 6887 6300

**TH – Thailand, Bangkok**  
Tel: +662 717 8140

**TW – Taiwan, Taipei**  
Tel: +886 2 2298 8987

## South America

**AR – Argentina, Buenos Aires**  
Tel: +54 3327 44 4129

**BR – Brazil, Cachoeirinha RS**  
Tel: +55 51 3470 9144

**CL – Chile, Santiago**  
Tel: +56 2 623 1216

**MX – Mexico, Apodaca**  
Tel: +52 81 8156 6000

**VE – Venezuela, Caracas**  
Tel: +58 212 238 5422

**European Product Information Centre**  
Free phone: 00 800 27 27 5374

(from AT, BE, CH, CZ, DE, DK, EE, ES, FI, FR, IE, IL, IS, IT, LU, MT, NL, NO, PL, PT, RU, SE, SK, UK, ZA)

We reserve the right to make technical changes. The data correspond to the technical state at the time of printing.  
© 2011 Parker Hannifin Corporation.  
All rights reserved.

192-300002N1

May 2011

## Parker Hannifin Ltd.

Tachbrook Park Drive / Tachbrook Park  
Warwick, CV34 6TU  
United Kingdom  
Tel.: +44 (0) 1926 317 878  
Fax: +44 (0) 1926 317 855  
parker.uk@parker.com  
www.parker.com



Your local authorized Parker distributor